

Peristaltic Head



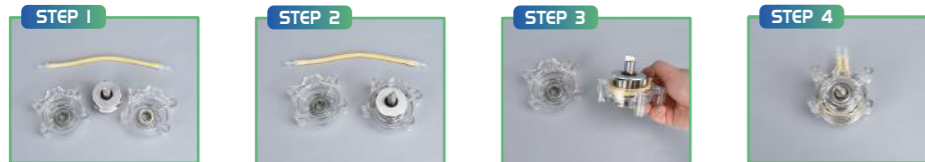
RZ1030-4

- Easy replace tubing
- Brand label OEM support
- Small compact structure, 4 rollers moderate pulse
- Designed with flexible block, self-adapt to different tube sizes
- Mainly used for small flow liquid transfer and metering



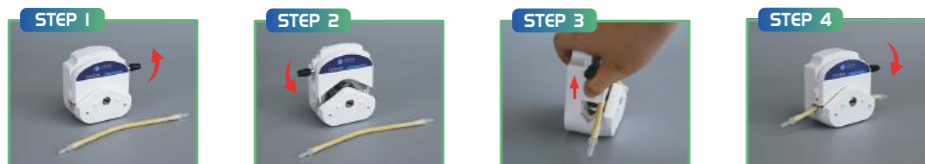
SN15/SN25

- 304 SST 3/6 rollers, PC housing, easy inspection
- Pump head stackable
- Each tube size match with specific model to ensure high stability
- Standard component in liquid handling system

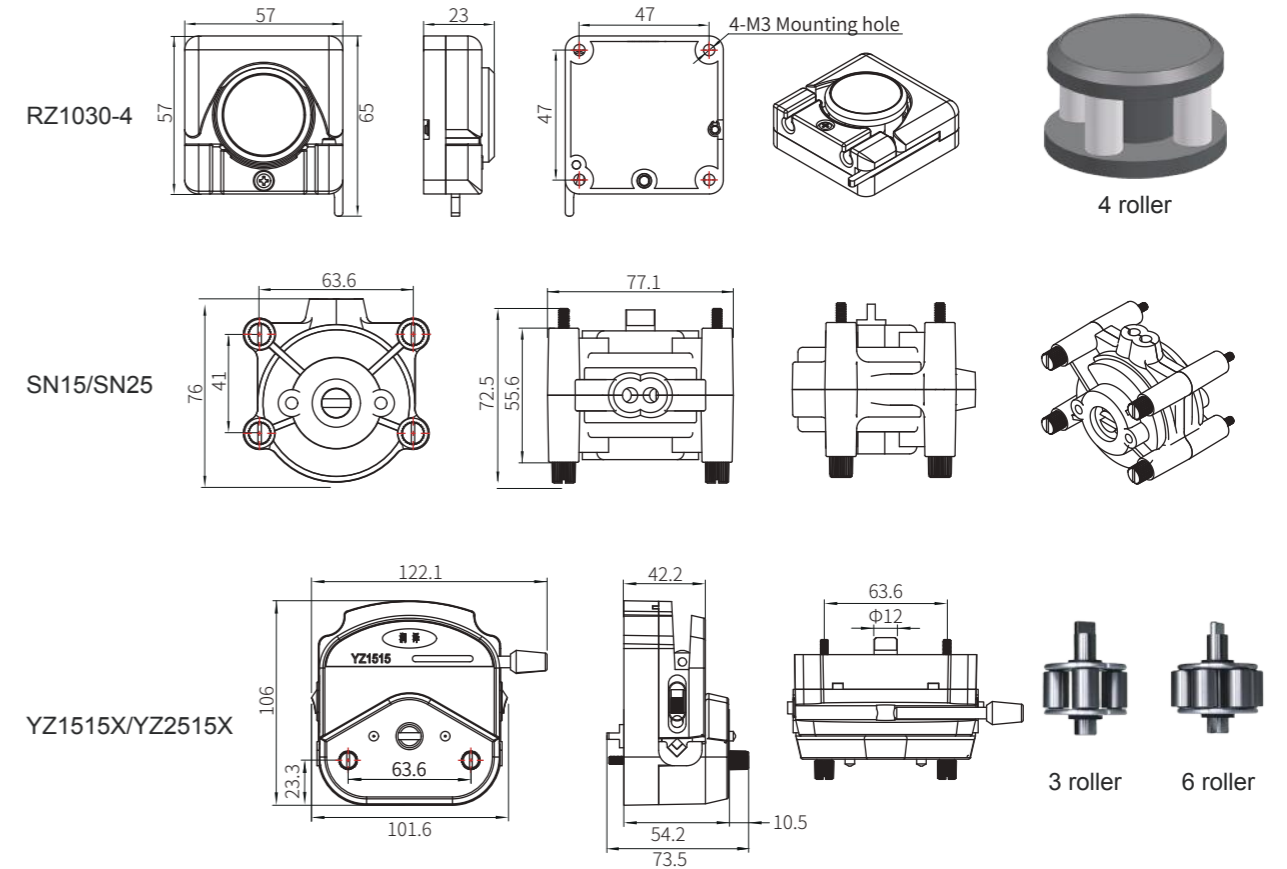


YZ1515X/YZ2515X

- 304 SST 3/6 rollers, ABS engineering housing
- Pump head stackable
- Easy replace tubing, different tube sizes compatible
- Standard component in liquid handling system



Dimension (unit: mm)



Technical Parameter

Model No.	Housing	Roller	Roller Numbers	Net Weight	Tubing Size	Max. Flow Rate	Working Environment
RZ1030-4	ABS	POM	4	56g	ID 0.64~3.0mm WT 0.8~1.0mm	170ml/min	Temp. 0~40°C Humidity <80%

Model No.	Housing	Roller	Roller Numbers	Net Weight	Tubing Size	Max. Flow Rate	Working Environment
SN15-3	PC	304 SST	3	302g	14# 16# 25# 17#	1725ml/min(500rpm)	Temp. 0~40°C
SN15-6			6	355g	14# 16#	343ml/min(500rpm)	
SN25-3			3	302g	15#	790ml/min(400rpm)	Humidity <80%
SN25-6			6	355g	15#	420ml/min(400rpm)	

Model No.	Color	Material	Roller Numbers	Net Weight	Tubing Size	Max. Flow Rate	Working Environment
YZ1515X-3B	white	ABS Housing	3	383g	14# 16# 25# 17# 18#	1862ml/min(500rpm)	Temp. 0~40°C
YZ1515X-3H	black						
YZ1515X-6B	white	304 SST Roller	6	435g	14# 16#	323ml/min(500rpm)	
YZ1515X-6H	black						
YZ2515X-3B	white	304 SST Roller	3	383g	15# 24#	1425ml/min(500rpm)	Humidity <80%
YZ2515X-3H	black						
YZ2515X-6B	white	304 SST Roller	6	435g	15#	440ml/min(500rpm)	
YZ2515X-6H	black						